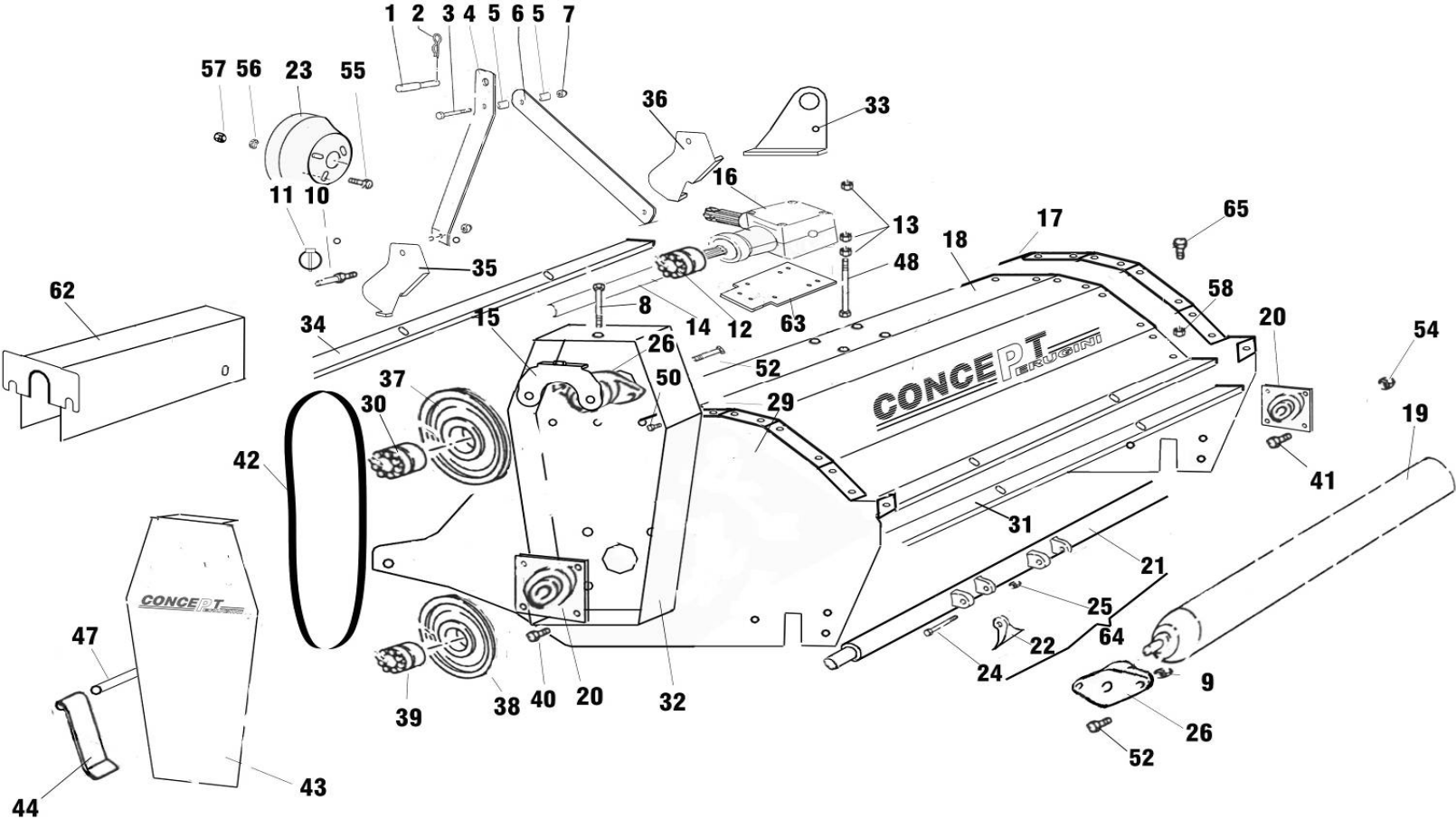


MOD CT



POS.	COD.	DESCRIZIONE	DESIGNATION	DESCRIPTION	BEZEICHNUNG
1	171088	PERNO	AXE	PIN	BOLZEN
2	170000	COPIGLIA ELASTICA	GOUPILLE DE SURETE	R CLIP	VORSTECKER
3	V41418Z	VITE 14X90X1,5	VIS	SCREW	SCHRAUBE
4	370200	TIRANTE LATERALE ATT.3 P	PLAQUE LATER.3EME POINT SUP.	3P LINKAGE SIDE ARM	KONSOLE FLANSCHPLATTE
5	370315	DISTANZIALE	ENTRETOISE	SPACER	ABSTANDSSTUECK
6	370214	TIRANTE ATT.3 PUNTI	TIRANT	3P LINKAGE REAR ARM	STUETZE
7	A41416Z	DADO AUTOBL.M14	ECROU AUT.	LOCKNUT	STOP-MUTTER
8	V41008	VITE 10X40X1,25	VIS	SCREW	SCHRAUBE
9	A41416Z	DADO AUTOBL.M14X1,5	ECROU AUT.	LOCKNUT	STOP-MUTTER
10	171090	PERNO	AXE	PIN	BOLZEN
11	170010	SPINA CON MOLLA	GOUJON DE SURETE	LINCH PIN	KLAPPSPLINT
12	252555	CALETTATORE	CALETEUR	SELF LOCK HUB	SPANNSTUECK
13	D41008	DADO M10X1,25	ECROU	NUT	MUTTER
14	720300	SEMIASSE CT.100	ARBRE SECONDAIRE	SIDE.DRIVE SHAFT CT100	HAUPTWELLE
	720301	SEMIASSE CT.125	ARBRE SECONDAIRE	SIDE.DRIVE SHAFT CT125	HAUPTWELLE
15	720701	TIRANTE CINGHIA	TIRANT	TENSIONER BRACKET	STUETZE
16	720800	SCATOLA TRASMISSIONE	BOITIER	GEARBOX	GETRIEBE
17	720200	FIANCO DX	PLAQUE LATERALE DE	RH SIDE	FLANSCHPLATTE R.H.
18	720205	TELAIO CT.100	CHASSIS CT100	CHASSIS CT100	WANNE CT100
	720208	TELAIO CT.125	CHASSIS CT125	CHASSIS CT125	WANNE CT125
19	720704	RULLO POST. CT.100	ROULEAU ARRIERE CT.100	REAR ROLLER CT.100	STUETZWALZE CT.100
	720705	RULLO POST. CT.125	ROULEAU ARRIERE CT.125	REAR ROLLER CT.125	STUETZWALZE CT.125
20	00F206	CUSCINETTO	PALIER	BEARING	HALTERUNG
22	720400	SPATOLA	MARTEAU	FLAIL	HAMMER
23	171083	PROTEZIONE CARDANO	PROTECTION	PTO GUARD	SCHUTZ
24	V51008	VITE 10X40	VIS	SCREW	SCHRAUBE
25	D51010	DADO M10	ECROU	NUT	MUTTER
26	00L205	CUSCINETTO	PALIER	BEARING	HALTERUNG
29	720201	FIANCO SX	PLAQUE LATERALE GE	LH SIDE	FLANSCHPLATTE L.H.
30	252565	CALETTATORE	CALETEUR	SELF LOCK HUB	SPANNSTUECK
31	720207	RINFORZO TELAIO CT.100	SUPPORT CHASSIS CT.100	CROSS BAR CT100	HALTERUNG WANNE CT.100
	720210	RINFORZO TELAIO CT.125	SUPPORT CHASSIS CT.120	CROSS BAR CT125	HALTERUNG WANNE CT.120
32	720700	CARTER TRASMISSIONE	CACHE TRANSMISSION	TRANSM. CASING	ANTRIEBWANNE
33	720204	PIASTRA AGGANCIO	CROCHET	SUPPORT	HALTER
34	720206	CONTROCOLTELLO CT.100	CONTRECOUTEAUX CT.100	COUNTER KNIFE CT100	GEGENMESSER CT.100
	720209	CONTROCOLTELLO CT.125	CONTRECOUTEAUX CT.125	COUNTER KNIFE CT125	GEGENMESSER CT.125
35	720213	PIASTRA ATT. CASTELLO SX	PLAQUE 3EME POINT GE.	LH BRACKET	HALTERUNG 3PUNKT. L.H.
36	720212	PIASTRA ATT. CASTELLO DX	PLAQUE 3EME POINT DE	RH BRACKET	HALTERUNG 3PUNKT. R.H.
37	2A1365	PULEGGIA GOLA 2 Dp.132-Di.65	POULIE	PULLEY	RIEMENSCHLEIBE
→ 31/12/08	1A1365	PULEGGIA GOLA 1 Dp.132-Di.65	POULIE	PULLEY	RIEMENSCHLEIBE
38	2A9055	PULEGGIA GOLA 2 Dp.90-Di.55	POULIE	PULLEY	RIEMENSCHLEIBE
→ 31/12/08	1A9055	PULEGGIA GOLA 1 Dp.90-Di.55	POULIE	PULLEY	RIEMENSCHLEIBE

39	253055	CALETTATORE	CALETEUR	SELF LOCK HUB	SPANNSTUECK
40	V41208Z	VITE M12X40X1,25	VIS	SCREW	SCHRAUBE
41	V41207Z	VITE M12X35X1,25	VIS	SCREW	SCHRAUBE
42	15A782	CINGHIA	CHAINE	BELT	RIEMEN
43	720211	COPERCHIO CARTER	COUVERCLE	COVER	LAGERDECKEL
44	720215	PROTEZIONE PARASASSI	PETIT TOLE DE PROTECT. ANT.	STONE GUARD	SCHUTZBLECH
47	720302	PERNO PARASASSI CT.100	BARRE DU TABLIER ARR. CT.100	GUARD ROD CT.100	SCHUTZBLECHSSTANGE CT.100
	720303	PERNO PARASASSI CT.125	BARRE DU TABLIER ARR. CT.125	GUARD ROD CT.125	SCHUTZBLECHSSTANGE CT.125
48	V51032Z	VITE M10X160	VIS	SCREW	SCHRAUBE
54	A41214Z	DADO AUTOBL.M12	ECROU AUT.	LOCKNUT	STOP-MUTTER
55	V50604Z	VITE M6X20	VIS	SCREW	SCHRAUBE
56	180618Z	ROSETTA LARGA	RONDELLE	WASHER	SCHEIBE
57	A50608Z	DADO AUTOBL.M6	ECROU AUT.	LOCKNUT	STOP-MUTTER
58	D71010Z	DADO FLANGIATO M10	ECROU	FLANGED NUT	MUTTER
62	720202	PROTEZIONE SEMIASSE CT100	PROTECTION CT100	SIDE SHAFT GUARD CT100	SCHUTZ CT100
	720203	PROTEZIONE SEMIASSE CT125	PROTECTION CT125	SIDE SHAFT GUARD CT125	SCHUTZ CT125
63	720218	PORTASCATOLA	SUPPORT DU BOITIER	GEARBOX BRACKET	GETRIEBEGEAUESEHALTER
64	72RZ02	GR.ROTORE CT.100 SPATOLE	ROTOR CT100	ROTOR CT100	ROTORWELLE CT100
	72RZ03	GR.ROTORE CT.125 SPATOLE	ROTOR CT125	ROTOR CT125	ROTORWELLE CT125
65	061002Z	VITE TBQST M10x25	VIS	BOLT	SCHRAUBE