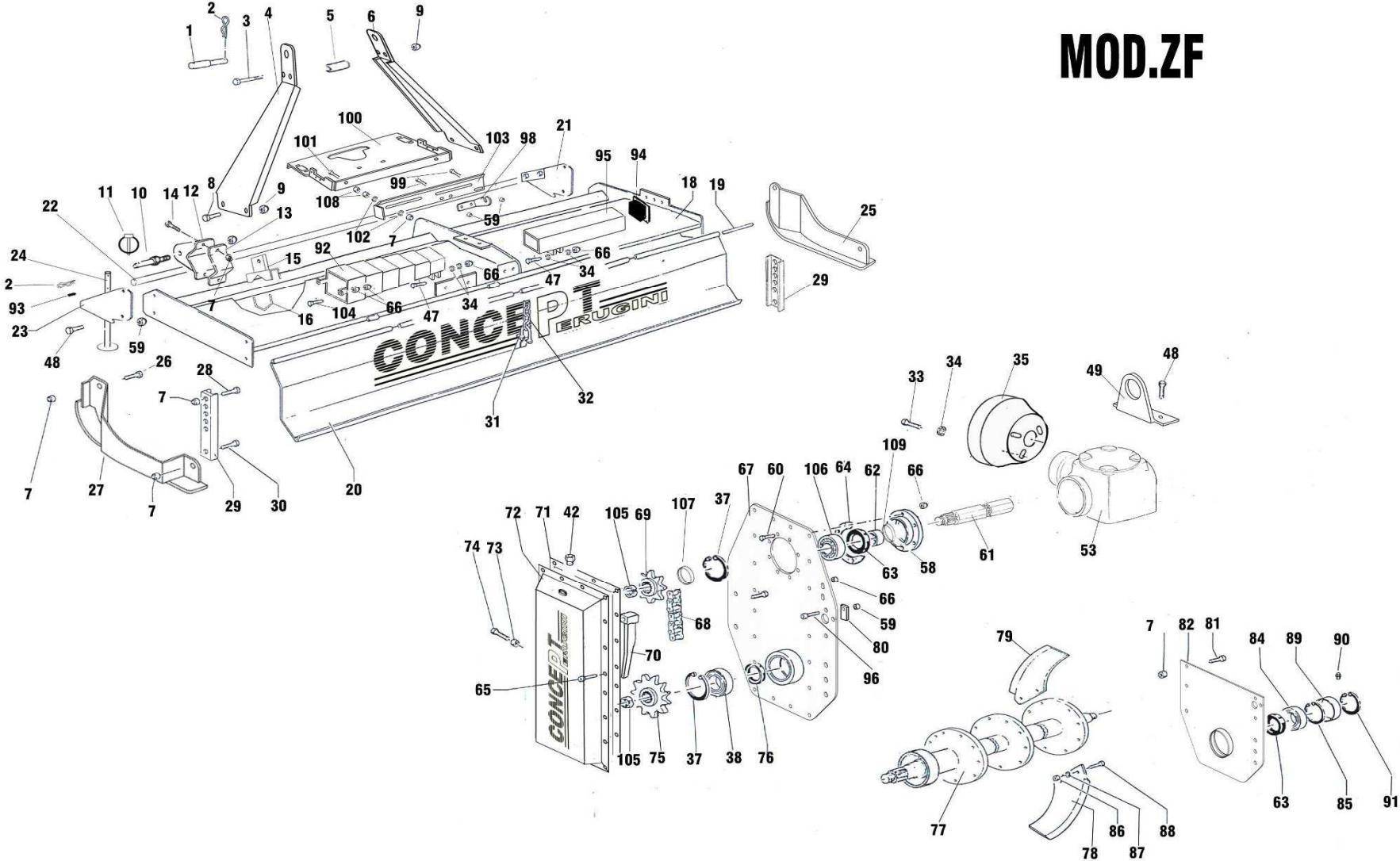


MOD.ZF



POS.	COD.	DESCRIZIONE	DESIGNATION	DESCRIPTION	BEZEICHNUNG
1	171088	PERNO	AXE	PIN	BOLZEN
2	170000	COPIGLIA ELASTICA	GOUPILLE DE SURETE	R CLIP	VORSTECKER
3	V41218	VITE TE M12x90x1,25 8.8 TOT.FILL. UNI 5740	VIS 12x90x1,25	SCREW 12x90x1,25	SCHRAUBE 12x90x1,25
4	800220	FIANCO ATT.3 PUNTI SN ZF	PLAQUE LATERALE GAUCHE 3 POINTS ZF	3 POINT LINK PLATE ZF	STREBE ZUM 3-PUNKT ANBAU ZF
5	600304	DISTANZIALE CASTELLO ZF/KF	ENTRETOISE 3 POINTS ZF/KF	SPACER ZF/KF	3-PUNKT ANBAU ABSTANDSTUECK ZF/KF
6	800221	FIANCO ATT.3 PUNTI DS ZF	PLAQUE LATERALE DROITE 3 POINTS ZF	3 POINT LINK PLATE ZF	STREBE ZUM 3-PUNKT ANBAU ZF
7	A41214Z	DADO AUTOBL.ALTO M12x1,25 CL.8 DIN 982 CON ZINCATURA	ECROU AUT. M12x1,25 GALVANISE	GALVANISED LOCKNUT M12x1,25	STOP-MUTTER
8	V41208Z	VITE TE M12x40x1,25 8.8 TOT.FILL. UNI 5740 CON ZINCATURA	VIS 12x40x1,25 GALVANISE	SCREW 12x40x1,25 GALVANIZED	ZINK-SCHRAUBE 12x40x1,25
9	A41214Z	DADO AUTOBL.ALTO M12x1,25 CL.8 DIN 982 CON ZINCATURA	ECROU AUT. M12x1,25 GALVANISE	GALVANISED LOCKNUT M12x1,25	STOP-MUTTER
10	171090	PERNO	AXE	PIN	BOLZEN
11	170010	SPINA CON MOLLA	GOUJON DE SURETE	LINCH PIN	KLAPPSPLINT
12	370716	ATTACCO INFERIORE	CHAPPE 3 POINTS INF.	LOWER LINKAGE PLATE	UNTERLENKER ANHAENGUNG
13	604203	CONTROSTAFFA ATT.INFERIORE ZF/KF	PLAQUE ZF/KF	PLATE ZF/KF	HALTERUNG ZF/KF
14	V41209Z	VITE TE M12x45x1,25 8.8 TOT.FILL. UNI 5740 CON ZINCATURA	VIS 12x40x1,25 GALVANISE	SCREW 12x40x1,25 GALVANIZED	ZINK-SCHRAUBE 12x40x1,25
15	370717	ATTACCO FIANCO	CHAPPE 3 POINTS	LOWER LINKAGE PLATE	VERBINDUNGSTUECK
16	800305	CAVALLOTTO ZF	ETRIER	U BOLT	HALTER
18	370700	TELAIO ZF/XF.090	CHASSIS ZF/XF.090	CHASSIS ZF/XF.090	WANNE ZU ZF/XF.090
	370701	TELAIO ZF/XF.110	CHASSIS ZF/XF.110	CHASSIS ZF/XF.110	WANNE ZU ZF/XF.110
	370702	TELAIO ZF/XF.125	CHASSIS ZF/XF.125	CHASSIS ZF/XF.125	WANNE ZU ZF/XF.125
	370703	TELAIO ZF/XF.145	CHASSIS ZF/XF.145	CHASSIS ZF/XF.145	WANNE ZU ZF/XF.145
	370704	TELAIO ZF/XF.165	CHASSIS ZF/XF.165	CHASSIS ZF/XF.165	WANNE ZU ZF/XF.165
19	370305	PERNO COFANO POSTERIORE ZF/XF.090	BARRE DU TABLIER ARR. ZF/XF.090	ROD ZF/XF.090	BODENKLAPPEGESTAENGE ZF/XF.090
	370708	COFANO POSTERIORE ZF/XF.145	TABLIER ARRIERE ZF/XF.145	TAILGATE ZF/XF.145	BODENKLAPPE ZF/XF.145
	370709	COFANO POSTERIORE ZF/XF.165	TABLIER ARRIERE ZF/XF.165	TAILGATE ZF/XF.165	BODENKLAPPE ZF/XF.165
21	370204	PROTEZIONE DS ZF/XF	PROTECTION DROITE ZF/XF	SIDE SHAFT GUARD, RH ZF/XF	SEITLICHES SCHUTZBLECH, R. ZF/XF
22	370310	PROTEZIONE ANTERIORE ZF/XF.090	PROTECTION ANT. ZF/XF.090	FRONT GUARD ZF/XF.090	FRONT SCHUTZGESTAENGE ZF/XF.090
	370311	PROTEZIONE ANTERIORE ZF/XF.110	PROTECTION ANT. ZF/XF.110	FRONT GUARD ZF/XF.110	FRONT SCHUTZGESTAENGE ZF/XF.110
	370312	PROTEZIONE ANTERIORE ZF/XF.125-CF.120	PROTECTION ANT. ZF/XF.125-CF.120	FRONT GUARD ZF/XF.125-CF.120	FRONT SCHUTZGESTAENGE ZF/XF.125-CF.120
	370313	PROTEZIONE ANTERIORE ZF/XF.145	PROTECTION ANT. ZF/XF.145	FRONT GUARD ZF/XF.145	FRONT SCHUTZGESTAENGE ZF/XF.145
	370314	PROTEZIONE ANTERIORE ZF/XF.165	PROTECTION ANT. ZF/XF.165	FRONT GUARD ZF/XF.165	FRONT SCHUTZGESTAENGE ZF/XF.165
23	370205	PROTEZIONE SN ZF/XF	PROTECTION GAUCHE ZF/XF	SIDE SHAFT GUARD LH ZF/XF	SEITLICHES SCHUTZBLECH, L. ZF/XF
24	370715	PIEDE DI SOSTEGNO ZF/XF	PIED BEQUILLE	PARKING LEG ZF/XF	STUETZE
25	362700	PATTINO DS LATO FIANCO ZF	PATIN DROITE ZF	SKID RH ZF	SCHLEIFKUFE, R.ZF
26	V41209Z	VITE TE M12x45x1,25 8.8 TOT.FILL. UNI 5740 CON ZINCATURA	VIS 12x40x1,25 GALVANISE	SCREW 12x40x1,25 GALVANIZED	ZINK-SCHRAUBE 12x40x1,25
27	362800	PATTINO SN LATO CARTER ZF	PATIN GAUCHE ZF	SKID LH ZF	SCHLEIFKUFE, L. ZF
28	V41211Z	VITE TE M12x55x1,25 8.8 TOT.FILL. UNI 5740 CON ZINCATURA	VIS	SCREW	SCHRAUBE
29	360206	REGISTRO PATTINO ZF	PLAQUE DE REGLAGE DU PATIN ZF	SKID ADJUSTER ZF	VERSTELLUNGSTUECK ZF
30	V41206Z	VITE TE M12x30x1,25 8.8 TOT.FILL. UNI 5740 CON ZINCATURA	VIS 12x30x1,25 GALVANISE	SCREW 12x30x1,25 GALVANIZED	ZINK-SCHRAUBE 12x30x1,25
31	160010	GOLFARE D.10 ZINCATO	ETRIER	D SHAKLE	KETTENANSCHLUSS
32	160600	CATENA GENOVESE D.6 ZINCATA MAGLIA DIM.INT.22x40-25 MAGLIE/M	CHAINE DU TABLIER ARR.	CHAIN	HALTEKETTE
33	V50804Z	VITE TE M8x20 P.G. 8.8 TOT.FILL. UNI 5739 CON ZINCATURA	VIS	SCREW	SCHRAUBE
34	180824Z	ROSETTA	RONDELLE	WASHER	SCHEIBE
35	171080	CUFFIA De=200 H=110 PROT.ALBERO CARD XT-XF	PROTECTION	GUARD	SCHUTZ
37	141080	ANELLO DI SICUREZZA FORO D.80 UNI 7437	BAGUE D'ARRET	CIRCLIP	SEEGERRING
38	006307	CUSCINETTO 6307	ROULEMENT 6307	BEARING 6307	LAGER 6307
47	V51005Z	VITE TE M10x25 P.G. 8.8 TOT.FILL. UNI 5739 CON ZINCATURA	VIS 10x25 GALVANISE	SCREW 10x25 GALVANIZED	ZINK-SCHRAUBE 10x25
48	V51006Z	VITE TE M10x30 P.G. 8.8 TOT.FILL. UNI 5739 CON	VIS 10x30 GALVANISE	SCREW 10x30 GALVANIZED	ZINK-SCHRAUBE 10x30
49	800211	PIASTRA GANCIO ZF	POINT D'ACCROCHAGE ZF	TOWER HOOK ZF	PUNKT ZUM AUFHANGUNG ZF

53	CM.800100	SCATOLA ZF COMER	BOITIER	GEARBOX	GEHAEUSE
	G.B.800101	SCATOLA ZF G.B	BOITIER	GEARBOX	GEHAEUSE
58	420400	CAMPANA SX FRESA TF		0 FLANGE	CAMPANA SX FRESA TF
59	A41012Z	DADO AUTOBL.ALTO M10x1,25 CL.8 DIN 982 CON ZINCATURA	ECROU AUT. M10x1,25 GALVANISE	GALVANISED LOCKNUT M10x1,25	STOP-MUTTER
60	V50805Z	VITE TE M8x25 P.G. 8.8 TOT.FILL. UNI 5739 CON ZINCATURA	VIS	SCREW	SCHRAUBE
61	370331	SEMIASSE CF-JF120 ZF.090-110	ARBRE SECONDAIRE CF-JF.120 ZF.090-110	SIDE DRIVE SHAFT CF-JF.120 ZF.090-110	ANTRIEBSWELLE CF-JF.120 ZF.090-110
	370332	SEMIASSE CF-JF.130 ZF.125-145	ARBRE SECONDAIRE CF-JF.130 ZF.125-145	SIDE DRIVE SHAFT CF-JF.130 ZF.125-145	ANTRIEBSWELLE CF-JF.130 ZF.125-145
	370350	SEMIASSE ZF.165	ARBRE SECONDAIRE ZF.165	SIDE DRIVE SHAFT ZF.165	ANTRIEBSWELLE ZF.165
62	300306	DISTANZIALE ZF/KF	ENTRETOISE ZF/KF	SPACER ZF/KF	ABSTANDSSTUECK ZF/KF
63	104562	ANELLO DI TENUTA 456210	JOINT D'ETANCHEITE 456210	OIL SEAL 456210	O-DICHTRING 456210
64	300600	G.NE ASTUCCIO SEMIASSE KF	JOINT KF	GASKET KF	DICHTUNG KF
65	V50806	VITE TE M8x30 P.G. 8.8 TOT.FILL. UNI 5739	VIS 8x30	SCREW 8x30	SCHRAUBE 8x30
66	A50810Z	DADO AUTOBL.ALTO M8 P.G. CL.8 DIN 982 CON ZINCATURA	ECROU AUT. M8 GALVANISE	GALVANISED LOCKNUT M8	MUTTER, SELBST.
67	370718	FIANCATA SN XF-ZF	FLASQUE GAUCHE XF-ZF	DRIVE SLIDE XF-ZF	ZWISCHENFLANSCH XF-ZF
68	150836	CATENA ASA 80 (ANELLO 36 MG)	CHAINE ASA 80	CHAIN ASA 80	KETTE ASA 80
69	370400	PIGNONE PER CATENA ASA 80 Z-11 XF	PIGNON CONIQUE Z-11 XF	BEVEL PINION Z-11 XF	KETTENRAD Z-11 XF
70	300102	TENDICATENA	TENDEUR DE CHAINE	CHAIN TENSIONER	KETTENSANNER
71	370600	G.NE GUAMOTOR	JOINT	GASKET	DICHTUNG
72	370720	CHIUSURA CATENA (CARTER)	CARTER	CHAIN COVER	KETTENDECKEL
73	D41414Z	DADO ALTO M14x1,5 CL.8 UNI 5587 CON ZINCATURA	ECROU M14x1,5 GALVANISE	GALVANISED NUT M14x1,5	MUTTER, SELBST.
74	300332	REGISTRO TENDICATENA ZF/KF	VIS DE REGLAGE ZF/KF	CHAIN TENSIONER ADJUSTER ZF/KF	STELLSCHRAUBE ZF/KF
75	370401	PIGNONE PER CATENA ASA 80 Z-13 XF	PIGNON CONIQUE Z-13 XF	BEVEL PINION Z-13 XF	KETTENRAD Z-13 XF
76	104572	ANELLO DI TENUTA 457210	JOINT D'ETANCHEITE 457210	OIL SEAL 457210	O-DICHTRING 457210
77	370710	ROTORE ZAPPE ZF/XF.090	ROTOR ZF/XF.090	ROTOR SHAFT ZF/XF.090	ROTORWELLE ZF/XF.090
	370711	ROTORE ZAPPE ZF/XF.110	ROTOR ZF/XF.110	ROTOR SHAFT ZF/XF.110	ROTORWELLE ZF/XF.110
	370712	ROTORE ZAPPE ZF/XF.125	ROTOR ZF/XF.125	ROTOR SHAFT ZF/XF.125	ROTORWELLE ZF/XF.125
	370713	ROTORE ZAPPE ZF/XF.145	ROTOR ZF/XF.145	ROTOR SHAFT ZF/XF.145	ROTORWELLE ZF/XF.145
	370714	ROTORE ZAPPE ZF/XF.165	ROTOR ZF/XF.165	ROTOR SHAFT ZF/XF.165	ROTORWELLE ZF/XF.165
78	360411	ZAPPA ELICOIDALE SN XF/ZF	LAME HELICOIDALE GAUCHE XF/ZF	CURVED BLADE LH XF/ZF	KRUMMESSER, L. XF/ZF
79	360410	ZAPPA ELICOIDALE DS XF/ZF	LAME HELICOIDALE DROITE XF/ZF	CURVED BLADE RH XF/ZF	KRUMMESSER, R. XF/ZF
80	370208	BLOCCAGGIO PERNO COFANO POSTERIORE	PLAQUETTE DE BLOCAGE	PIN LOCKING	BOLZEN SPERRPLATTE
81	V41207Z	VITE M12X35X1,25	VIS	SCREW	SCHRAUBE
82	370719	FIANCATA OPPOSTA TRASMISSIONE XFO/XF	PLAQUE LATERALE XFO/XF	SIDE PLATE XFO/XF	FLANSCHPLATTE XFO/XF
84	006306	CUSCINETTO 6306	ROULEMENT 6306	BEARING 6306	LAGER 6306
85	142030	ANELLO DI SICUREZZA ALBERO D.30 UNI 7435	BAGUE D'ARRET	CIRCLIP	SEEGERRING
86	D51010	DADO M10	ECROU M10	NUT	MUTTER
87	091018Z	ROSETTA ELASTICA 10,5x17,5x2,2 UNI 1751 CON ZINCATURA	RONDELLE	WASHER	SCHEIBE
88	V41007	VITE TE M10x35x1,25 8.8 TOT.FILL. UNI 5740	VIS	SCREW	SCHRAUBE
89	107200	TAPPO DI TENUTA 72x10	BOUCHON ET	PLUG ET	STOPFEN ET
90	171015	INGRASSATORE M10x1,5 DRITTO T.SFERA UNI 7663 TIPO A	GRAISSEUR 10x1.5	GREASE NIPPLE 10x1.5	SCHMIERNIPPEL 10x1.5
91	141072	ANELLO DI SICUREZZA FORO D.72 UNI 7437	BAGUE D'ARRET	CIRCLIP	SEEGERRING
92	800700	PROTEZIONE TELESCOPICA 3 SEZIONI ZF.090/110	PROTECTION TELESC.3 SEC. ZF.090/110	GUARD 3 SEC. ZF.090/110	AUSZIEHBARES GEHAEUSE ZF.090/110
	800701	PROTEZIONE TELESCOPICA 4 SEZIONI ZF.125	PROTECTION TELESC.4 SEC. ZF.125	GUARD 4 SEC. ZF.125	AUSZIEHBARES GEHAEUSE ZF.125
	800702	PROTEZIONE TELESCOPICA 5 SEZIONI ZF.145	PROTECTION TELESC.5 SEC. ZF.145	GUARD 5 SEC. ZF.145	AUSZIEHBARES GEHAEUSE ZF.145
	800703	PROTEZIONE TELESCOPICA 6 SEZIONI ZF.165	PROTECTION TELESC.6 SEC. ZF.165	GUARD 6 SEC. ZF.165	AUSZIEHBARES GEHAEUSE ZF.165
93	170525	SPINA ELASTICA D.5 L=25 UNI ISO 8752	GOUPILLE DE SERRAGE	ROLL PIN	SPANNSTIFT
94	171103	TAPPO PER FORO 60x60	BOUCHON	PLUG	STOPFEN
95	800704	PROTEZIONE DS L=350 PER ZF	PROTECTION DROITE L=350 ZF	RIGHT GUARD L=350 ZF	SCHUTZ, R. L=350 ZF
	800705	PROTEZIONE DS L=450 PER ZF	PROTECTION DROITE L=450 ZF	RIGHT GUARD L=450 ZF	SCHUTZ, R. L=450 ZF
96	V41008	VITE 10X40X1,25	VIS	SCREW	SCHRAUBE

98	800203	PIASTRA AGGANCIAMENTO CATENA	CROCHET DE CHAINE	CHAIN SUPPORT	KETTENHALTER
99	V41009	VITE TE M10x45x1,25 8.8 TOT.FILL. UNI 5740	VIS	SCREW	SCHRAUBE
100	800210	PIASTRA PORTASCATOLA ZF	SUPPORT DU BOITIER ZF	GEARBOX BRACKET	ZF GETRIEBEBEHALTER
101	V41212	VITE TE M12x60x1,25 8.8 TOT.FILL. UNI 5740	VIS 12x60x1,25	SCREW 12x60x1,25	SCHRAUBE 12x60x1,25
102	181224	ROSETTA PIANA 13x24x2,5 UNI 6592	RONDELLE	WASHER	SCHEIBE
103	800200	SCORSOIO ZF.090	SYSTEME DE GLISSEMENT ZF.090	SLIDING SYSTEM FOR ZF.090	FLEXIBLE LAGERUNG ZUR GETRIEBE ZF.090
	800201	SCORSOIO ZF.110	SYSTEME DE GLISSEMENT ZF.110	SLIDING SYSTEM FOR ZF.110	FLEXIBLE LAGERUNG ZUR GETRIEBE ZF.110
	800202	SCORSOIO ZF.125	SYSTEME DE GLISSEMENT ZF.125	SLIDING SYSTEM FOR ZF.125	FLEXIBLE LAGERUNG ZUR GETRIEBE ZF.125
	800204	SCORSOIO ZF.145	SYSTEME DE GLISSEMENT ZF.145	SLIDING SYSTEM FOR ZF.145	FLEXIBLE LAGERUNG ZUR GETRIEBE ZF.145
	800205	SCORSOIO ZF.165	SYSTEME DE GLISSEMENT ZF.165	SLIDING SYSTEM FOR ZF.165	FLEXIBLE LAGERUNG ZUR GETRIEBE ZF.165
104	V50806	VITE TE M8x30 P.G. 8.8 TOT.FILL. UNI 5739	VIS 8x30	SCREW 8x30	SCHRAUBE 8x30
105	123015	GHIERA AUTOBLOCCANTE M30x1,5	ECROU DE SERRAGE 30x1,5	LOCKNUT 30x1,5	NUT-MUTTER, SELBST. 30x1,5
106	221307	CUSCINETTO 21307	ROULEMENT 21308	BEARING 21308	LAGER 21308
107	310333	DISTANZIALE SCAT.CAMBIO FRESA	ENTRETOISE	SPACER	ABSTANDSSTUECK
108	D41212	DADO ALTO M12x1,25 CL.8 UNI 5587	ECROU M12x1,25	NUT M12x1,25	MUTTER, SELBST. 12x1,25
109	700213	SET N.3 SPESSORI 80X63X1 PER HF	KIT N.3 ENTRETOISES POUR HF	SPACER KIT FOR HF	3 ABSTANDSSTUECKE SATZ FUER HF