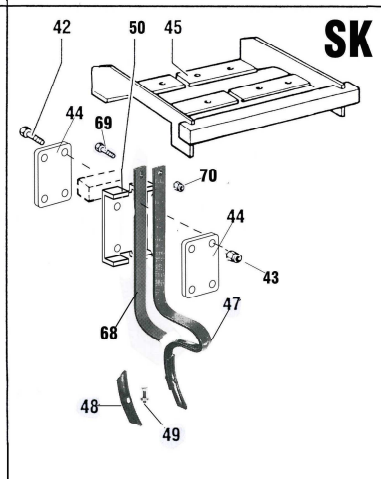
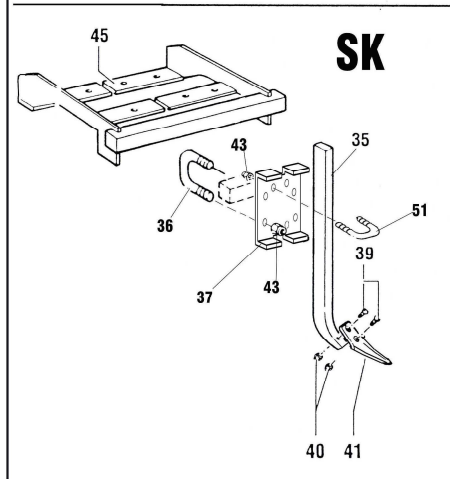
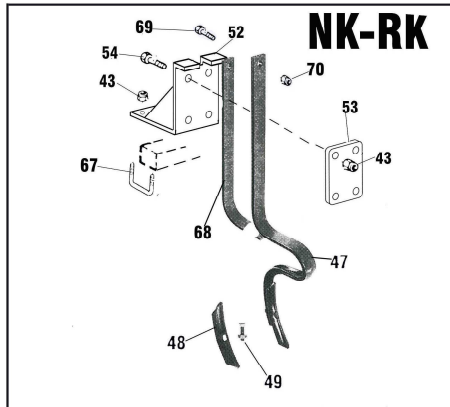
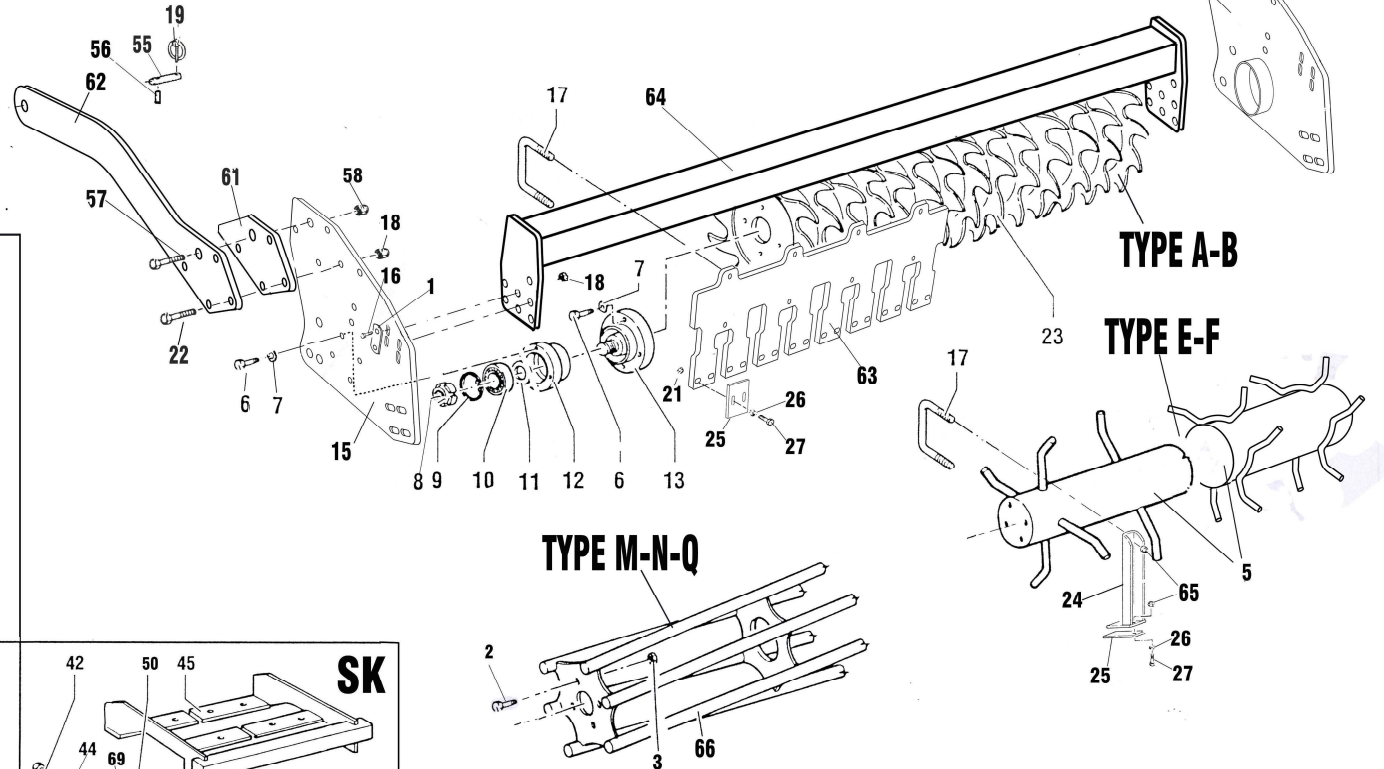


# LK-NK-SK-RK



MOD.	PACKER ø480	PACKER ø550	SPUNTONI ø440 POINTES ZINKENWALZE SPIKE	SPUNTONI ø490 POINTES ZINKENWALZE SPIKE	GABBIA ø340 CAGE STABWALZE CAGE	GABBIA ø480 CAGE STABWALZE CAGE	
						N 8 BARRE BARRÉS BARS STÄEBE	Q 16 BARRE BARRÉS BARS STÄEBE
LK	×		×		×		
NK	×		×	×	×		
SK	×	×		×		×	×
RK		×		×		×	×
NH	×			×	×		
SH	×	×		×		×	×

POS.	COD.	DESCRIZIONE	DESIGNATION	DESCRIPTION	BEZEICHNUNG
1	340201	SPESSORE RULLO ERPICE 40X80	ENTRETOISE	SPACER	ABSTANDSSTUECK
2	V41208Z	VITE TE M12x40x1,25 8.8 TOT.FILL. UNI 5740 CON ZINCATURA	VIS 12x40x1,25 GALVANISE	SCREW 12x40x1,25 GALVANIZED	ZINK-SCHRAUBE 12x40x1,25
3	A41214Z	DADO AUTOBL.ALTO M12x1,25 CL.8 DIN 982 CON ZINCATURA	ECROU AUT. M12x1,25 GALVANISE	GALVANISED LOCKNUT M12x1,25	STOP-MUTTER
5	644300	RULLO A SPUNTONI D=440 150 TYPE E	ROULEAU A POINTES D=440 150 TYPE E	SPIKE ROLLER D=440 150 TYPE E	ZINKEWALZE D=440 150 TYPE E
	634900	RULLO A SPUNTONI D=440 175 TYPE E	ROULEAU A POINTES D=440 175 TYPE E	SPIKE ROLLER D=440 175 TYPE E	ZINKEWALZE D=440 175 TYPE E
	635000	RULLO A SPUNTONI D=440 200 TYPE E	ROULEAU A POINTES D=440 200 TYPE E	SPIKE ROLLER D=440 200 TYPE E	ZINKEWALZE D=440 200 TYPE E
	635100	RULLO A SPUNTONI D=440 225 TYPE E	ROULEAU A POINTES D=440 225 TYPE E	SPIKE ROLLER D=440 225 TYPE E	ZINKEWALZE D=440 225 TYPE E
	635200	RULLO A SPUNTONI D=440 250 TYPE E	ROULEAU A POINTES D=440 250 TYPE E	SPIKE ROLLER D=440 250 TYPE E	ZINKEWALZE D=440 250 TYPE E
	635300	RULLO A SPUNTONI D=440 300 TYPE E	ROULEAU A POINTES D=440 300 TYPE E	SPIKE ROLLER D=440 300 TYPE E	ZINKEWALZE D=440 300 TYPE E
	629200	RULLO A SPUNTONI D=490 200 TYPE F	ROULEAU A POINTES D=490 200 TYPE F	SPIKE ROLLER D=490 200 TYPE F	ZINKEWALZE D=490 200 TYPE F
	629300	RULLO A SPUNTONI D=490 225 TYPE F	ROULEAU A POINTES D=490 225 TYPE F	SPIKE ROLLER D=490 225 TYPE F	ZINKEWALZE D=490 225 TYPE F
	625100	RULLO A SPUNTONI D=490 250 TYPE F	ROULEAU A POINTES D=490 250 TYPE F	SPIKE ROLLER D=490 250 TYPE F	ZINKEWALZE D=490 250 TYPE F
	625200	RULLO A SPUNTONI D=490 300 TYPE F	ROULEAU A POINTES D=490 300 TYPE F	SPIKE ROLLER D=490 300 TYPE F	ZINKEWALZE D=490 300 TYPE F
	625300	RULLO A SPUNTONI D=490 350 TYPE F	ROULEAU A POINTES D=490 350 TYPE F	SPIKE ROLLER D=490 350 TYPE F	ZINKEWALZE D=490 350 TYPE F
	625400	RULLO A SPUNTONI D=490 400 TYPE F	ROULEAU A POINTES D=490 400 TYPE F	SPIKE ROLLER D=490 400 TYPE F	ZINKEWALZE D=490 400 TYPE F
	628300	RULLO A SPUNTONI D=490 450 TYPE F	ROULEAU A POINTES D=490 450 TYPE F	SPIKE ROLLER D=490 450 TYPE F	ZINKEWALZE D=490 450 TYPE F
	628400	RULLO A SPUNTONI D=490 500 TYPE F	ROULEAU A POINTES D=490 500 TYPE F	SPIKE ROLLER D=490 500 TYPE F	ZINKEWALZE D=490 500 TYPE F
6	V51206	VITE TE M12x30 P.G. 8.8 TOT.FILL. UNI 5739	VIS 12x30	SCREW 12x30	SCHRAUBE 12x30
7	090012	ROSETTA ONDULATA 13x24x1,2 UNI 8840-B	RONDELLE	WASHER	SCHEIBE
8	124015	GHIERA AUTOBLOCCANTE M40x1,5	ECROU DE SERRAGE 40x1,5	LOCKNUT 40x1,5	NUT-MUTTER, SELBST. 40x1,5
9	141085	ANELLO DI SICUREZZA FORO D.85	BAGUE D'ARRET	CIRCLIP	SEEGERRING
10	016209	CUSCINETTO Z 6209	ROULEMENT Z 6209	BEARING Z 6209	LAGER Z 6209
11	330201	ROSETTA UKL/UKN	RONDELLE LK/NK	WASHER LK/NK	SCHEIBE LK/NK
12	320100	SUPPORTO RULLO ESF/EZR	SUPPORT DU ROULEAU ESF/EZR	ROLLER SUPPORT ESF/EZR	WALZENLAGERGEHAUESE ESF/EZR
13	323000	MOZZO RULLO A GABBIA ESF/EZR	FUSEE DU ROULEAU ESF/EZR	ROLLER HUB ESF/EZR	WALZENACHSE ESF/EZR
15	626000	PIASTRA SX RULLO	PLAQUE PORTE-ROULEAU GAUCHE SX	ROLLER BRACKET LH SX	WALZENHALTEPLATTE, L.H. SX
16	V41409Z	VITE TE M14x45x1,5 8.8 TOT.FILL. UNI 5740 CON ZINCATURA	VIS 14x45x1,5 GALVANISE	SCREW 14x45x1,5 GALVANIZED	ZINK-SHRAUBE 14x45x1,5
17	620326	CAVALLOTTO 100/M10	ETRIER	U BOLT	HALTER
18	A41416Z	DADO AUTOBL.ALTO M14x1,5 CL.8 DIN 982 CON ZINCATURA	ECROU AUT. M14x1,5 GALVANISE	GALVANISED LOCKNUT M14x1,5	STOP-MUTTER
19	170006	SPINA CON MOLLA A SCATTO D.5,5	GOUJON DE SURETE	LINCH PIN	KLAPPSPLINT
20	625900	PIASTRA DX RULLO	PLAQUE PORTE-ROULEAU DROITE DX	ROLLER HOLDER RH DX	WALZENHALTEPLATTE, R.H. DX
21	A41012Z	DADO AUTOBL.ALTO M10x1,25 CL.8 DIN 982 CON ZINCATURA	ECROU AUT. M10x1,25 GALVANISE	GALVANISED LOCKNUT M10x1,25	STOP-MUTTER
22	V61412Z	VITE TE M14x60x1,5 8.8 PARZ.FILL UNI 5738 CON ZINCATURA	VIS	SCREW	SCHRAUBE
23	637000	RULLO PACKER D=480 200 TYPE A	ROULEAU PACKER D=480 200 TYPE A	PACKER ROLLER D=480 200 TYPE A	PACKERWALZE D=480 200 TYPE A
	637100	RULLO PACKER D=480 225 TYPE A	ROULEAU PACKER D=480 225 TYPE A	PACKER ROLLER D=480 225 TYPE A	PACKERWALZE D=480 225 TYPE A
	637200	RULLO PACKER D=480 250 TYPE A	ROULEAU PACKER D=480 250 TYPE A	PACKER ROLLER D=480 250 TYPE A	PACKERWALZE D=480 250 TYPE A
	623600	RULLO PACKER D=480 300 TYPE A	ROULEAU PACKER D=480 300 TYPE A	PACKER ROLLER D=480 300 TYPE A	PACKERWALZE D=480 300 TYPE A
	623700	RULLO PACKER D=480 350 TYPE A	ROULEAU PACKER D=480 350 TYPE A	PACKER ROLLER D=480 350 TYPE A	PACKERWALZE D=480 350 TYPE A
	623800	RULLO PACKER D=480 400 TYPE A	ROULEAU PACKER D=480 400 TYPE A	PACKER ROLLER D=480 400 TYPE A	PACKERWALZE D=480 400 TYPE A
	629000	RULLO PACKER D=550 200 TYPE B	ROULEAU PACKER D=550 200 TYPE B	PACKER ROLLER D=550 200 TYPE B	PACKERWALZE D=550 200 TYPE B
	629100	RULLO PACKER D=550 225 TYPE B	ROULEAU PACKER D=550 225 TYPE B	PACKER ROLLER D=550 225 TYPE B	PACKERWALZE D=550 225 TYPE B
	623500	RULLO PACKER D=550 250 TYPE B	ROULEAU PACKER D=550 250 TYPE B	PACKER ROLLER D=550 250 TYPE B	PACKERWALZE D=550 250 TYPE B
	628500	RULLO PACKER D=550 300 TYPE B	ROULEAU PACKER D=550 300 TYPE B	PACKER ROLLER D=550 300 TYPE B	PACKERWALZE D=550 300 TYPE B
	628600	RULLO PACKER D=550 350 TYPE B	ROULEAU PACKER D=550 350 TYPE B	PACKER ROLLER D=550 350 TYPE B	PACKERWALZE D=550 350 TYPE B
	628700	RULLO PACKER D=550 400 TYPE B	ROULEAU PACKER D=550 400 TYPE B	PACKER ROLLER D=550 400 TYPE B	PACKERWALZE D=550 400 TYPE B
	628800	RULLO PACKER D=550 450 TYPE B	ROULEAU PACKER D=550 450 TYPE B	PACKER ROLLER D=550 450 TYPE B	PACKERWALZE D=550 450 TYPE B
	628900	RULLO PACKER D=550 500 TYPE B	ROULEAU PACKER D=550 500 TYPE B	PACKER ROLLER D=550 500 TYPE B	PACKERWALZE D=550 500 TYPE B
24	620710	BRACCIO RASCHIETTO RULLO A SPUNTONI	BRAS POUR GRATTOIR ROULEAU POINTS	SCRAPER ARM	ABSTREIFER ARM
	628000	BRACCIO RASCHIETTO RULLO A SPUNTONI A SINGOLO PIATTO	BRAS POUR GRATTOIR ROULEAU POINTS	SCRAPER ARM	ABSTREIFER ARM
25	320219	RASCHIETTO RULLO PACKER 130x90 - 2 ASOLE	GRATTOIR 130x90 - 2 TROUS	SCRAPER 130x90 - 2 HOLES	ABSTREIFER 130X90 - 2 LOECHERN
26	181021Z	ROSETTA PIANA 10,5x21x2 UNI 6592 CON ZINCATURA	RONDELLE GALVANISEE	GALVANIZED WASHER	ZINK-SCHEIBE
27	V51006	VITE TE M10x30 P.G. 8.8 TOT.FILL. UNI 5739	VIS 10x30	SCREW 10x30	SCHRAUBE 10x30
35	390202	ANCORA PER RIPUNTATORE ERPICE	BARRE	FRONT WHEEL TRACK ERADICATORS	STIELE

36	390306	CAVALLOTTO	ETRIER	U BOLT	HALTER
37	620240	PIASTRA PER RIPUNTATORE RIGIDO SK	PLAQUE DENTS EFFACE-TRACE SK	TRACK ERADICATORS PLATE SK	BUEGELHALTERUNG ZUM STIEL SK
39	081270	VITE TCEI M12x70 P.G. 8.8 PARZ.FILL.UNI 5931	VIS	SCREW	SCHRAUBE
40	A51214Z	DADO AUTOBL.ALTO M12 P.G. CL.8 DIN 982 CON ZINCATURA	ECROU AUT. M12 GALVANISE	GALVANISED LOCKNUT M12	MUTTER, SELBST.
41	390406	VOMERINO CAT.1	SOC CAT.1	SHARE CAT.1	SCHARE, KAT.1
	390407	VOMERINO CAT.2	SOC CAT.2	SHARE CAT.2	SCHARE, KAT.2
42	V41634	VITE TE M16x170x1,5 8.8 TOT.FILL. UNI 5740	VIS 16x170x1,5	SCREW 16x170x1,5	SCHRAUBE 16x170x1,5
43	A41618Z	DADO AUTOBL.ALTO M16x1,5 CL.8 DIN 982 CON ZINCATURA	ECROU AUT. M16x1,5 GALVANISE	GALVANISED LOCKNUT M16x1,5	STOP-MUTTER
44	620241	PIASTRA BLOCCAGGIO RIPUNTATORE A MOLLA SK	BLOCAGE EFFACE-TRACE A RESSORTS SK	FIXING PLATE SK	SPURLOCKERER SPERRPLATTE SK
45	627600	TELAIO RIPUNTATORE ERPICE UKS	CHASSIS DENTS EFFACE-TRACE UKS	LINKAGE FRAME UKS	HALTERUNGSGESTELL UKS
47	620350	ANCORA PER RIPUNTATORE A MOLLA	DENTS EFFACE-TRACE	TRACK ERADICATORS	SPURLOCKERER
48	627800	VOMERINO ROMPIRACCIA ERPICE	SOC	SHARE	SCHARE
49	081037	VITE VOMERINO	VIS	SCREW	SCHRAUBE
50	620242	PIASTRA PER RIPUNTATORE A MOLLA SK	PLAQUE DENTS EFFACE-TRACE A RESSORT SK	TRACK ERADICATORS PLATE SK	BUEGELHALTERUNG ZUM SPURLOCKERER SK
51	620331	CAVALLOTTO 25/M16	ETRIER	U BOLT	BUEGELSCHRAUBE
52	530740	PIASTRA PER RIPUNTATORE A MOLLA NK/RK	PLAQUE DENTS EFFACE-TRACE A RESSORT NK/RK	TRACK ERADICATORS PLATE NK/RK	BUEGELHALTERUNG ZUM SPURLOCKERER NK/RK
53	530241	PIASTRA BLOCCAGGIO RIPUNTATORE A MOLLA NK/RK	BLOCAGE EFFACE-TRACE A RESSORTS NK/RK	FIXING PLATE NK/RK	SPURLOCKERER SPERRPLATTE NK/RK
54	V41612Z	VITE TE M16x60x1,5 8.8 TOT.FILL. UNI 5740 CON ZINCATURA	VIS 16x60x1,5 GALVANISE	SCREW 16x60x1,5 GALVANIZED	ZINK-SCHRAUBE 16x60x1,5
55	171085	PERNO D.19 Lu=50 2FORI COPPIGLIA D.6ZINCATO	AXE	PIN	BOLZEN
56	170636	SPINA ELASTICA D.6 L=36 UNI ISO 8752	GOUPILLE DE SERRAGE	ROLL PIN	SPANNSTIFT
57	V52016	VITE TE M20x80 P.G. 8.8 TOT.FILL. UNI 5739	VIS 20x80	SCREW 20x80	SCHRAUBE 20x80
58	A52022Z	DADO AUTOBL.ALTO M20 P.G. CL.8 DIN 982 CON ZINCATURA	ECROU AUT. M20 GALVANISE	GALVANISED LOCKNUT M20	MUTTER, SELBST.
61	639102	SPESSORE BRACCIO RULLO SF/ZR/SK	ENTRETOISE BRAS ROULEAU SF/ZR/SK	SPACER	ABSTANDSSTUECK
62	639101	BRACCIO REGOLAZIONE RULLO SF/ZR/LK/NK/SK	BRAS POUR REGLAGE ROULEAU SF/ZR/LK/NK/SK	LEVER SF/ZR/LK/NK/SK	ARM, R.SF/ZR/LK/NK/SK
	770203	BRACCIO REGOLAZIONE RULLO SH	BRAS POUR REGLAGE ROULEAU SH	LEVER SH	ARM, R.SH
63	530236	PIASTRA GUIDA RASCHIETTO L=1000	PLAQUE POUR LE GUIDAGE DU GRATTOIR	SCRAPER PLATE	ABSTREIFER FUEHRUNGSPLATTE
64	636100	TRAVE PORTA RASCHIETTI NK/LK 150	PORTE-GRATTOIRS NK/LK 150	SCRAPERS HOLDER NK/LK 150	ABSTREIFERHALTER NK/LK 150
	636200	TRAVE PORTA RASCHIETTI NK/LK 175	PORTE-GRATTOIRS NK/LK 175	SCRAPERS HOLDER NK/LK 175	ABSTREIFERHALTER NK/LK 175
	636300	TRAVE PORTA RASCH. NK/LK 200	PORTE-GRATTOIRS NK/LK 200	SCRAPERS HOLDER NK/LK 200	ABSTREIFERHALTER NK/LK 200
	636400	TRAVE PORTA RASCH. NK/LK 225	PORTE-GRATTOIRS NK/LK 225	SCRAPERS HOLDER NK/LK 225	ABSTREIFERHALTER NK/LK 225
	636500	TRAVE PORTA RASCH. NK/SK 250	PORTE-GRATTOIRS NK/SK 250	SCRAPERS HOLDER NK/SK 250	ABSTREIFERHALTER NK/SK 250
	626200	TRAVE PORTA RASCH. NK/SK/RK 300	PORTE-GRATTOIRS NK/SK/RK 300	SCRAPERS HOLDER NK/SK/RK 300	ABSTREIFERHALTER NK/SK/RK 300
	626300	TRAVE PORTA RASCH. SK/RK 350	PORTE-GRATTOIRS SK/RK 350	SCRAPERS HOLDER SK/RK 350	ABSTREIFERHALTER SK/RK 350
	626400	TRAVE PORTA RASCH. SK/RK 400	PORTE-GRATTOIRS SK/RK 400	SCRAPERS HOLDER SK/RK 400	ABSTREIFERHALTER SK/RK 400
	629600	TRAVE PORTA RASCH. RK 450	PORTE-GRATTOIRS RK 450	SCRAPERS HOLDER RK 450	ABSTREIFERHALTER RK 450
	629700	TRAVE PORTA RASCH. RK 500	PORTE-GRATTOIRS RK 500	SCRAPERS HOLDER RK 500	ABSTREIFERHALTER RK 500
65	A51012Z	DADO AUTOBL.ALTO M10 P.G. CL.8 DIN 982 CON ZINCATURA	ECROU AUT. M10 GALVANISE	GALVANISED LOCKNUT M10	MUTTER, SELBST.
66	629400	RULLO A GABBIA D=480 200 TYPE N	ROULEAU CAGE D=480 200 TYPE N	CAGE ROLLER D=480 200 TYPE N	STABWALZE D=480 200 TYPE N
	629500	RULLO A GABBIA D=480 225 TYPE N	ROULEAU CAGE D=480 225 TYPE N	CAGE ROLLER D=480 225 TYPE N	STABWALZE D=480 225 TYPE N
	624300	RULLO A GABBIA D=480 250 TYPE N	ROULEAU CAGE D=480 250 TYPE N	CAGE ROLLER D=480 250 TYPE N	STABWALZE D=480 250 TYPE N
	624400	RULLO A GABBIA D=480 300 TYPE N	ROULEAU CAGE D=480 300 TYPE N	CAGE ROLLER D=480 300 TYPE N	STABWALZE D=480 300 TYPE N
	624500	RULLO A GABBIA D=480 350 TYPE N	ROULEAU CAGE D=480 350 TYPE N	CAGE ROLLER D=480 350 TYPE N	STABWALZE D=480 350 TYPE N
	624600	RULLO A GABBIA D=480 400 TYPE N	ROULEAU CAGE D=480 400 TYPE N	CAGE ROLLER D=480 400 TYPE N	STABWALZE D=480 400 TYPE N
	628100	RULLO A GABBIA D=480 450 TYPE N	ROULEAU CAGE D=480 450 TYPE N	CAGE ROLLER D=480 450 TYPE N	STABWALZE D=480 450 TYPE N
	628200	RULLO A GABBIA D=480 500 TYPE N	ROULEAU CAGE D=480 500 TYPE N	CAGE ROLLER D=480 500 TYPE N	STABWALZE D=480 500 TYPE N
	632900	RULLO A GABBIA D=340 150 TYPE M	ROULEAU CAGE D=340 150 TYPE M	CAGE ROLLER D=340 150 TYPE M	STABWALZE D=340 150 TYPE M
	633000	RULLO A GABBIA D=340 175 TYPE M	ROULEAU CAGE D=340 175 TYPE M	CAGE ROLLER D=340 175 TYPE M	STABWALZE D=340 175 TYPE M
	633100	RULLO A GABBIA D=340 200 TYPE M	ROULEAU CAGE D=340 200 TYPE M	CAGE ROLLER D=340 200 TYPE M	STABWALZE D=340 200 TYPE M
	633200	RULLO A GABBIA D=340 225 TYPE M	ROULEAU CAGE D=340 225 TYPE M	CAGE ROLLER D=340 225 TYPE M	STABWALZE D=340 225 TYPE M
	633300	RULLO A GABBIA D=340 250 TYPE M	ROULEAU CAGE D=340 250 TYPE M	CAGE ROLLER D=340 250 TYPE M	STABWALZE D=340 250 TYPE M
	633500	RULLO A GABBIA D=340 300 TYPE M	ROULEAU CAGE D=340 300 TYPE M	CAGE ROLLER D=340 300 TYPE M	STABWALZE D=340 300 TYPE M
	620700	RULLO A GABBIA D=480 200 TYPE Q	ROULEAU CAGE D=480 200 TYPE Q	CAGE ROLLER D=480 200 TYPE Q	STABWALZE D=480 200 TYPE Q
	620701	RULLO A GABBIA D=480 225 TYPE Q	ROULEAU CAGE D=480 225 TYPE Q	CAGE ROLLER D=480 225 TYPE Q	STABWALZE D=480 225 TYPE Q
	620702	RULLO A GABBIA D=480 250 TYPE Q	ROULEAU CAGE D=480 250 TYPE Q	CAGE ROLLER D=480 250 TYPE Q	STABWALZE D=480 250 TYPE Q
	620703	RULLO A GABBIA D=480 300 TYPE Q	ROULEAU CAGE D=480 300 TYPE Q	CAGE ROLLER D=480 300 TYPE Q	STABWALZE D=480 300 TYPE Q

	<b>620704</b>	RULLO A GABBIA D=480 350 TYPE Q	ROULEAU CAGE D=480 350 TYPE Q	CAGE ROLLER D=480 350 TYPE Q	STABWALZE D=480 350 TYPE Q
	<b>620705</b>	RULLO A GABBIA D=480 400 TYPE Q	ROULEAU CAGE D=480 400 TYPE Q	CAGE ROLLER D=480 400 TYPE Q	STABWALZE D=480 400 TYPE Q
	<b>620706</b>	RULLO A GABBIA D=480 450 TYPE Q	ROULEAU CAGE D=480 450 TYPE Q	CAGE ROLLER D=480 450 TYPE Q	STABWALZE D=480 450 TYPE Q
	<b>620707</b>	RULLO A GABBIA D=480 500 TYPE Q	ROULEAU CAGE D=480 500 TYPE Q	CAGE ROLLER D=480 500 TYPE Q	STABWALZE D=480 500 TYPE Q
<b>67</b>	<b>650303</b>	CAVALLOTTO 100/M14	ETRIER	U BOLT	HALTER
<b>68</b>	<b>620351</b>	RINFORZO ANCORA PER RIPUNTATORE A MOLLA	RENFORCEMENT DENTS EFFACE-TRACE	TRACK ERADICATORS HELPER	SPURLOCKERER VERSTAERKERUNGSTUECK
<b>69</b>	<b>V41207Z</b>	VITE M12X35X1,25	VIS	SCREW	SCHRAUBE
<b>70</b>	<b>D41212Z</b>	DADO ALTO M12x1,25 CL.8 UNI 5587 CON ZINCATURA	ECROU M12x1,25 GALVANISE	GALVANISED NUT 12x1,25	MUTTER, SELBST.