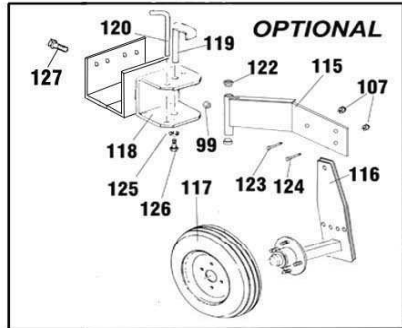
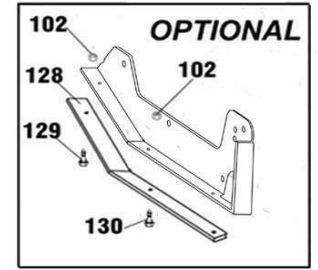
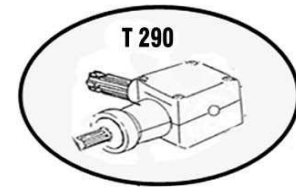
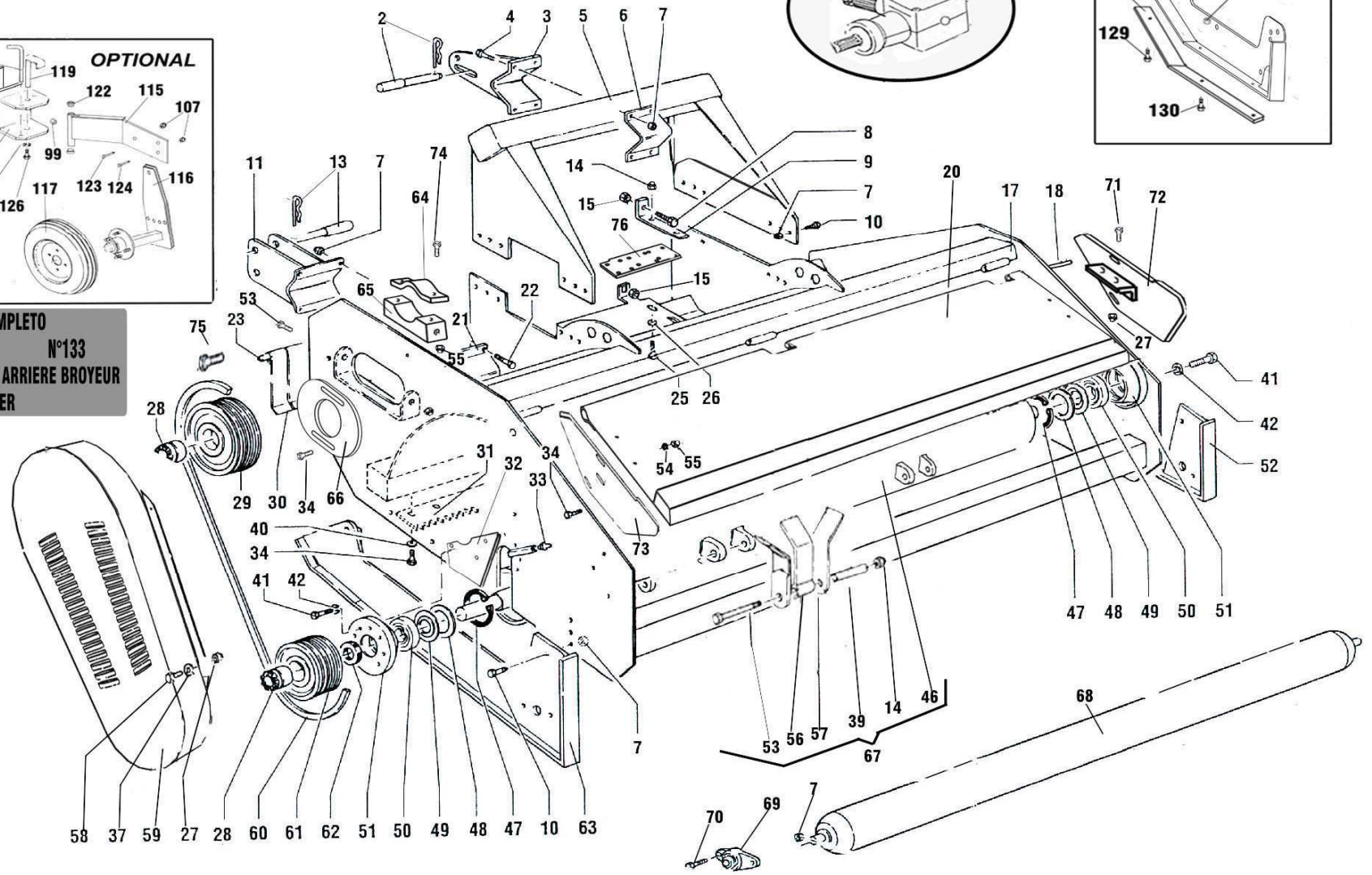


MOD.ST



**KIT RUOTE COMPLETO**  
**REAR WHEELS N°133**  
**JEU DE ROUES ARRIERE BROYEUR**  
**HINTERE RAEDER**



POS.	COD.	DESCRIZIONE	DESIGNATION	DESCRIPTION	BEZEICHNUNG
2	171093	PERNO SUP.D.25 Lu=125 (2øCAT) ZINCATO+SPINA CON MOLLA+CATEN	AXE	PIN	BOLZEN
3	554500	ATTACCO 3 PUNTO SUP. TRINCIA	ATTELAGE 3 POINTS BROYEUR	UPPER LINKAGE ST	OBERER 3-PUNKT ANBAU
4	V41416	VITE TE M14x80x1,5 8.8 TOT.FILL. UNI 5740	VIS 14x80x1,5	SCREW 14x80x1,5	SCHRAUBE 14x80x1,5
5	455600	CASTELLO TRINCIA ST	ATTELAGE 3 POINTS ST	HEADSTOCK ST	ST 3-PUNKT ANBAU
6	450220	MORSETTO ATT.3 PUNTO SUP. TRINCIA	PALIER	SUPPORT	HALTERUNG
7	A41416Z	DADO AUTOBL.ALTO M14x1,5 CL.8 DIN 982 CON ZINCATURA	ECROU AUT. M14x1,5 GALVANISE	GALVANISED LOCKNUT M14x1,5	STOP-MUTTER
8	V41628	VITE TE M16x140x1,5 8.8 TOT.FILL. UNI 5740	VIS 16x140x1,5	SCREW 16x140x1,5	SCHRAUBE 16x140x1,5
9	450302	STAFFA REGOLAZIONE SCATOLA TRINCIA	PLAQUE DE REGLAGE	SUPPORT	STELLPLATTE
10	V41408Z	VITE TE M14x40x1,5 8.8 TOT.FILL. UNI 5740 CON ZINCATURA	VIS 14x40x1,5 GALVANISE	SCREW 14x40x1,5 GALVANIZED	ZINK-SCHRAUBE 14x40x1,5
11	523900	ATTACCO 3 PUNTO INFERIORE ST	CHAPPE 3 POINTS INF. ST	LOWER LINKAGE ST	UNTERER 3-PUNKT ANBAU ST
13	171094	PERNO INF.D.28 Lu=125 (2øCAT) ZINCATO+SPINA CON MOLLA+CATEN	AXE	PIN	BOLZEN
14	A41618Z	DADO AUTOBL.ALTO M16x1,5 CL.8 DIN 982 CON ZINCATURA	ECROU AUT. M16x1,5 GALVANISE	GALVANISED LOCKNUT M16x1,5	STOP-MUTTER
15	D41616Z	DADO ALTO M16x1,5 CL.8 UNI 5587 CON ZINCATURA	ECROU M16x1,5 GALVANISE	GALVANISED NUT M16x1,5	MUTTER
17	452200	COFANO TRINCIA ST 200	CARTER ST 200	CHASSIS ST 200	WANNE ST 200
	452300	COFANO TRINCIA ST 220	CARTER ST 220	CHASSIS ST 220	WANNE ST 220
	452400	COFANO TRINCIA ST 240	CARTER ST 240	CHASSIS ST 240	WANNE ST 240
	452500	COFANO TRINCIA ST 260	CARTER ST 260	CHASSIS ST 260	WANNE ST 260
	452600	COFANO TRINCIA ST 280	CARTER ST 280	CHASSIS ST 280	WANNE ST 280
	452700	COFANO TRINCIA ST 300	CARTER ST 300	CHASSIS ST 300	WANNE ST 300
	452900	#N/A	#N/A	#N/A	#N/A
18	450327	PERNO COFANO POSTERIORE MX-MT.200	BARRE DU TABLIER ARR. MX-MT.200	ROD MX-MT.200	BODENKLAPPENSTANGE MX-MT.200
	450328	PERNO COFANO POSTERIORE MX-MT.220	BARRE DU TABLIER ARR. MX-MT.220	ROD MX-MT.220	BODENKLAPPENSTANGE MX-MT.220
	450329	PERNO COFANO POSTERIORE MX-MT.240	BARRE DU TABLIER ARR. MX-MT.240	ROD MX-MT.240	BODENKLAPPENSTANGE MX-MT.240
	450330	PERNO COFANO POSTERIORE MX-MT.260	BARRE DU TABLIER ARR. MX-MT.260	ROD MX-MT.260	BODENKLAPPENSTANGE MX-MT.260
	450337	PERNO COFANO POSTERIORE MX-MT.280	BARRE DU TABLIER ARR. MX-MT.280	ROD MX-MT.280	BODENKLAPPENSTANGE MX-MT.280
	450338	PERNO COFANO POSTERIORE MX-MT.300	BARRE DU TABLIER ARR. MX-MT.300	ROD MX-MT.300	BODENKLAPPENSTANGE MX-MT.300
	450362	PERNO COFANO POSTERIORE MX-MT.320	BARRE DU TABLIER ARR. MX-MT.320	ROD MX-MT.320	BODENKLAPPENSTANGE MX-MT.320
20	560723	COFANO POSTERIORE MT.200	TABLIER ARRIERE MT.200	TAILGATE MT.200	BODENKLAPPE MT.200
	560724	COFANO POSTERIORE MT.220	TABLIER ARRIERE MT.220	TAILGATE MT.220	BODENKLAPPE MT.220
	560725	COFANO POSTERIORE MT.240	TABLIER ARRIERE MT.240	TAILGATE MT.240	BODENKLAPPE MT.240
	560729	COFANO POSTERIORE MT.260	TABLIER ARRIERE MT.260	TAILGATE MT.260	BODENKLAPPE MT.260
	560730	COFANO POSTERIORE MT.280	TABLIER ARRIERE MT.280	TAILGATE MT.280	BODENKLAPPE MT.280
	560731	COFANO POSTERIORE MT.300	TABLIER ARRIERE MT.300	TAILGATE MT.300	BODENKLAPPE MT.300
	560732	COFANO POSTERIORE MT.320	TABLIER ARRIERE MT.320	TAILGATE MT.320	BODENKLAPPE MT.320
21	452802	PIASTRA ATTACCO RUOTA TRINCIA MT VECCHIO MOD.	PLAQUE DE ROUE	WHEEL BRACKET	RADHALTERUNGPLATTE
22	V41410Z	VITE TE M14x50x1,5 8.8 TOT.FILL. UNI 5740 CON ZINCATURA	VIS	SCREW	SCHRAUBE
23	450318	PERNO PARASASSI MX/KT/MT/ST 200	BARRE PETITS TOLES PROTECTION ANT. LT/GT/MT/KT/ST 200	STONE GUARD ROD LT/GT/MT/KT/ST 200	SCHUTZBLECHSSTANGE LT/GT/MT/KT/ST 200
	450319	PERNO PARASASSI MX/KT/MT/ST 220	BARRE PETITS TOLES PROTECTION ANT. LT/GT/MT/KT/ST 220	STONE GUARD ROD LT/GT/MT/KT/ST 220	SCHUTZBLECHSSTANGE LT/GT/MT/KT/ST 220
	450320	PERNO PARASASSI MX/KT/MT/ST 240	BARRE PETITS TOLES PROTECTION ANT. KT/MT/ST 240	STONE GUARD ROD KT/MT/ST 240	SCHUTZBLECHSSTANGE KT/MT/ST 240
	450321	PERNO PARASASSI MX/KT/MT/ST 260	BARRE PETITS TOLES PROTECTION ANT. KT/MT/ST 260	STONE GUARD ROD KT/MT/ST 260	SCHUTZBLECHSSTANGE KT/MT/ST 260
	450322	PERNO SUPPORTO PARASASSI MX/KT/MT/ST 280	BARRE PROTECTION MX/KT/MT/ST.280	STONE GUARD ROD MX/KT/MT/ST.280	SCHUTZBLECHSSTANGE MX/KT/MT/ST.280
	450323	PERNO SUPPORTO PARASASSI MX/KT/MT/ST 300	BARRE PETITS TOLES PROTECTION ANT. KT/MT/ST 300	STONE GUARD ROD KT/MT/ST 300	SCHUTZBLECHSSTANGE KT/MT/ST 300
	450363	PERNO SUPPORTO PARASASSI MX/KT/MT/ST 320	BARRE PETITS TOLES PROTECTION ANT. KT/MT/ST 320	STONE GUARD ROD KT/MT/ST 320	SCHUTZBLECHSSTANGE KT/MT/ST 320
25	V51609	VITE TE M16x45 P.G. 8.8 TOT.FILL. UNI 5739	VIS 16x45	SCREW 16x45	SCHRAUBE 16x45
26	181630	ROSETTA PIANA 17x30x3 UNI 6592	RONDELLE	WASHER	SCHIBE
27	A41012Z	DADO AUTOBL.ALTO M10x1,25 CL.8 DIN 982 CON ZINCATURA	ECROU AUT. M10x1,25 GALVANISE	GALVANISED LOCKNUT M10x1,25	STOP-MUTTER
28	254580	CALETTATORE 45x80	CALETEUR 45x80	SELF LOCK HUB+E883 45x80	SPANNSTUECK 45x80
29	4B2580	PULEGGIA GOLA 4xTIPO B Dp.250 - Di.80 ST200-ST280	POULIE	PULLEY	RIEMENSCHIBE
	5B2580	PULEGGIA GOLA 5xTIPO B Dp.250 - Di.80 ST300-ST320	POULIE	PULLEY	RIEMENSCHIBE
30	450215	PARASASSI AT-PT-UT-MT-ST	PROTECTION AT-PT-UT-MT-ST	STONE GUARD AT-PT-UT-MT-ST	SCHUTZBLECH AT-PT-UT-MT-ST
31	450214	CONTRO COLTELLO	CONTRE COUTEAUX	COUNTER KNIFE	GEGENMESSER
32	450216	PROTEZIONE PULEGGIA TRINCIA	PROTECTION POULIE	PULLEY GUARD	SCHUTZRIEMENSCHIBE
33	171015	INGRASSATORE M10x1,5 DRITTO T.SFERA UNI 7663 TIPO A	GRAISSEUR 10x1.5	GREASE NIPPLE 10x1.5	SCHMIERNIPPEL 10x1.5

34	<b>V41208Z</b>	VITE TE M12x40x1,25 8.8 TOT.FILL. UNI 5740 CON ZINCATURA	VITE 12x40x1,25 GALVANISEE	SCREW 12x40x1,25 GALVANIZED	ZINK-SCHRAUBE 12x40x1,25
37	<b>181021</b>	ROSETTA PIANA 10,5x21x2 UNI 6592	RONDELLE	WASHER	SCHEIBE
39	<b>450305</b>	BOCCOLA COLTELLO MT	DOUILLE	BUSH	BUECHSE
40	<b>181236Z</b>	ROSETTA LARGA 13x36x3 UNI 6593 CON ZINCATURA	RONDELLE GALVANISEE	GALVANIZED WASHER	ZINK-SCHEIBE
41	<b>V41207Z</b>	VITE M12X35X1,25	VIS	SCREW	SCHRAUBE
42	<b>090014Z</b>	ROSETTA ONDULATA 15x28x1,6 ZINCATA UNI 8840-B	RONDELLE	WASHER	SCHEIBE
47	<b>141120</b>	ANELLO DI SICUREZZA FORO D.120 UNI 7437	BAGUE D'ARRET	CIRCLIP	SEEGERRING
48	<b>450222</b>	SPESSORE PARAGRASSO TRINCIA	RONDELLE	PLATE	SCHEIBE
49	<b>450221</b>	RONDELLA PARAGRASSO (NILOS 6311 JV)	RONDELLE	SEAL PLATE	SCHEIBE
50	<b>001311</b>	CUSCINETTO 1311	ROULEMENT 1311	BEARING 1311	LAGER 1311
51	<b>450400</b>	SUPPORTO ALBERO TRINCIA	PALIER	SUPPORT	HALTEPLATTE
52	<b>450247</b>	SLITTA DS ST	PATIN DROITE ST	RIGHT SKID ST	SCHLEIFKUFEN, R. ST
53	<b>V01622</b>	VITE TE M16x110x1,5 10.9 PARZ.FILL. UNI 5738	VIS	SCREW	SCHRAUBE
54	<b>181224Z</b>	ROSETTA PIANA 13x24x2,5 UNI 6592 CON ZINCATURA	RONDELLE GALVANISEE	GALVANIZED WASHER	ZINK-SCHEIBE
55	<b>A41214Z</b>	DADO AUTOBL.ALTO M12x1,25 CL.8 DIN 982 CON ZINCATURA	ECROU AUT. M12x1,25 GALVANISE	GALVANISED LOCKNUT M12x1,25	STOP-MUTTER
56	<b>450416</b>	PALETTA DI VENTIL. TRINCIA ST			
57	<b>450412</b>	COLTELLO UNIVERSALE TRINCIA ST/RT	COUTEAU A Y ST/RT	UNIVERSAL BLADE ST/RT	UNIVERSALMESSER ST/RT
58	<b>V51006Z</b>	VITE TE M10x30 P.G. 8.8 TOT.FILL. UNI 5739 CON	VIS 10x30 GALVANISE	SCREW 10x30 GALVANIZED	ZINK-SCHRAUBE 10x30
59	<b>450205</b>	COPERCHIO PULEGGIA ST	CARTER ST	COVER ST	RIEMENDECKEL ST
60	<b>15B900</b>	CINGHIA TRAPEZOIDALE SPBX 1900	COURROIE SPBX 1900	BELT SPBX 1900	RIEMEN SPBX 1900
61	<b>4B2180</b>	PULEGGIA GOLA 4XTIPO B Dp.212 - Di.80 ST.200-280	POULIE	PULLEY	RIEMENSCHLEIBE
	<b>5B2180</b>	PULEGGIA GOLA 5XTIPO B Dp.212 - Di.80 ST300-ST320	POULIE	PULLEY	RIEMENSCHLEIBE
62	<b>105580</b>	ANELLO DI TENUTA 558010	JOINT D'ETANCHEITE 558010	OIL SEAL 558010	O-DICHTRING 558010
63	<b>450246</b>	SLITTA SN ST	PATIN GAUCHE ST	LEFT SKID ST	SCHLEIFKUFEN, L. ST
64	<b>430309</b>	CONTROSTAFFA AF/BF/AFO/BFO	PLAQUE AF/BF/AFO/BFO	PLATE AF/BF/AFO/BFO	HALTERUNG AF/BF/AFO/BFO
65	<b>450211</b>	STAFFA	PLATEAU	PLATE	HALTERUNG
66	<b>450251</b>	PIASTRA DI PROTEZIONE ASOLA ST	PLAQUE DE PROTECTION ST	GUARD PLATE ST	ST SCHUTZBLECH
67	<b>45RW00</b>	ROTORE ST.200 COLTELLI	ROTOR ST.200 COUTEAUX	ROTOR ST.200 FLAILS	ROTORWELLE ST.200 MIT SCHLEGELMESSER
	<b>45RW01</b>	ROTORE ST.220 COLTELLI	ROTOR ST.220 COUTEAUX	ROTOR ST.220 FLAILS	ROTORWELLE ST.220 MIT SCHLEGELMESSER
	<b>45RW02</b>	ROTORE ST.240 COLTELLI	ROTOR ST.240 COUTEAUX	ROTOR ST.240 FLAILS	ROTORWELLE ST.240 MIT SCHLEGELMESSER
	<b>45RW03</b>	ROTORE ST.260 COLTELLI	ROTOR ST.260 COUTEAUX	ROTOR ST.260 FLAILS	ROTORWELLE ST.260 MIT SCHLEGELMESSER
	<b>45RW04</b>	ROTORE ST.280 COLTELLI	ROTOR ST.280 COUTEAUX	ROTOR ST.280 FLAILS	ROTORWELLE ST.280 MIT SCHLEGELMESSER
	<b>45RW05</b>	ROTORE ST.300 COLTELLI	ROTOR ST.300 COUTEAUX	ROTOR ST.300 FLAILS	ROTORWELLE ST.300 MIT SCHLEGELMESSER
	<b>45RW06</b>	ROTORE ST.320 COLTELLI	ROTOR ST.320 COUTEAUX	ROTOR ST.320 FLAILS	ROTORWELLE ST.320 MIT SCHLEGELMESSER
68	<b>456700</b>	RULLO POST. KT 200	ROULEAU ARRIERE LT/GT/MT/KT/ST 200	REAR ROLLER LT/GT/MT/KT/ST 200	STUETZWALZE LT/GT/MT/KT/ST 200
	<b>456800</b>	RULLO POST. KT 220	ROULEAU ARRIERE LT/MT/KT/ST 220	REAR ROLLER LT/MT/KT/ST 220	STUETZWALZE LT/MT/KT/ST 220
	<b>456900</b>	RULLO POST. KT 240	ROULEAU ARRIERE MT/KT/ST 240	REAR ROLLER MT/KT/ST 240	STUETZWALZE MT/KT/ST 240
	<b>457000</b>	RULLO POST. KT 260	ROULEAU ARRIERE MT/KT/ST 260	REAR ROLLER MT/KT/ST 260	STUETZWALZE MT/KT/ST 260
	<b>457100</b>	RULLO POST. KT 280	ROULEAU ARRIERE MT/KT/ST 280	REAR ROLLER MT/KT/ST 280	STUETZWALZE MT/KT/ST 280
	<b>457200</b>	RULLO POST. KT 300	ROULEAU ARRIERE MT/KT/ST 300	REAR ROLLER MT/KT/ST 300	STUETZWALZE MT/KT/ST 300
	<b>457400</b>	RULLO POST. KT.320	ROULEAU ARRIERE KT.320	REAR ROLLER KT.320	STUETZWALZE KT.320
69	<b>00L207</b>	CUSCINETTO+SUPPORTO 2FORI COD.FL207	ROULEMENT	BEARING	LAGER
70	<b>V41409Z</b>	VITE TE M14x45x1,5 8.8 TOT.FILL. UNI 5740 CON ZINCATURA	VIS 14x45x1,5 GALVANISE	SCREW 14x45x1,5 GALVANIZED	ZINK-SHRAUBE 14x45x1,5
71	<b>061002Z</b>	VITE TBQST M10x25	VIS 10x25 GALVANISE	GALVANIZED SCREW 10x25	ZINK-SCHRAUBE 10x25
72	<b>560733</b>	RINFORZO SX	PLAQUE DE RENFORCEMENT GE	STRENGTHENING PLATE LH	VERSTAERKUNG PLATTE, L.
73	<b>560734</b>	RINFORZO DX	PLAQUE DE RENFORCEMENT DE	STRENGTHENING PLATE RH	VERSTAERKUNG PLATTE, R.
74	<b>V41218</b>	VITE TE M12x90x1,25 8.8 TOT.FILL. UNI 5740	VIS 12x90x1,25	SCREW 12x90x1,25	SCHRAUBE 12x90x1,25
75	<b>300500Z</b>	TAPPO 1/2"Gx16 (CH=27, Htot=24) CON ZINCATURA GIALLA	RENIFLARD	VENT	ENTLUFTER
76	<b>450234</b>	PIASTRA PORTA SCATOLA TRINCIA	SUPPORT DU BOITIER	GEARBOX SUPPORT	GETRIEBEGEAUESEHALTER
115	<b>550741</b>	SUPPORTO MOBILE RUOTA TRINCIA MT NUOVO MOD.	SUPPORT MOBILE DE ROUE MT	WHEEL HOLDER MT	BEWEGLICHER RADHALTER MT
116	<b>550742</b>	SOSTEGNO MOZZO RUOTA TRINCIA MT NUOVO MOD.	BRAS DE ROUE AVEC MOYEU MT	WHEEL ARM MT	RADARM MT
117	<b>458200</b>	RUOTA TRINCIA MT/ST	ROUE MT/ST	WHEEL MT/ST	RAEDERSATZ MT/ST
118	<b>550743</b>	SUPPORTO AL TELAIO RUOTA TRINCIA ST NUOVO MOD.	CHAPPE D'ATTELAGE DE ROUE ST	WHEEL HOLDER ST	RADBUEGELHALTERUNG ST
119	<b>454600</b>	PERNO RUOTA TRINCIA	AXE	PIN	BOLZEN
120	<b>170006</b>	SPINA CON MOLLA A SCATTO D.5,5	GOUJON DE SURETE	LINCH PIN	KLAPPSPLINT
121	<b>650303</b>	CAVALLOTTO 100/M14	ETRIER	U BOLT	HALTER

<b>122</b>	<b>450342</b>	BOCCOLA DI GUIDA	DOUILLE	BUSH	BUECHSE
<b>123</b>	<b>V41612Z</b>	VITE TE M16x60x1,5 8.8 TOT.FILL. UNI 5740 CON ZINCATURA	VIS 16x60x1,5 GALVANISE	SCREW 16x60x1,5 GALVANIZED	ZINK-SCHRAUBE 16x60x1,5
<b>124</b>	<b>V41610Z</b>	VITE TE M16x50x1,5 8.8 TOT.FILL. UNI 5740 CON ZINCATURA	VIS	SCREW	SCHRAUBE
<b>125</b>	<b>181236</b>	ROSETTA LARGA 13x36x3 UNI 6593	RONDELLE	WASHER	SCHEIBE
<b>126</b>	<b>V51206</b>	VITE TE M12x30 P.G. 8.8 TOT.FILL. UNI 5739	VIS 12x30	SCREW 12x30	SCHRAUBE 12x30
<b>127</b>	<b>450430</b>	PALETTA DI VENTILAZIONE MT	LANGUETTE MOYENNE MT	INTERMEDIATE TONGUE MT	ZWISCHENSCHAUFEL MT
<b>128</b>	<b>450423</b>	SUOLA ANTIUSURA GT/LT/MT/KT	PATIN ANTI-USAGE GT/LT/MT/KT	WEARING SLAID GT/LT/MT/KT	SCHLEIFKUFEN GEGEN VERSCHLEISS GT/LT/MT/KT
<b>129</b>	<b>V81208</b>	VITE TS M12x40 P.G. 10.9 UNI 5933	VIS	SCREW	SCHRAUBE
<b>130</b>	<b>061002Z</b>	VITE TBQST M10x25	VIS 10x25 GALVANISE	GALVANIZED SCREW 10x25	ZINK-SCHRAUBE 10x25
<b>133</b>	<b>560924</b>	GR.RUOTE POSTERIORI TRINCIA ST NUOVO MOD.	JEU DE ROUES ARRIERE ST	REAR WHEELS ST	HINTERE RAEDER ST